

www.disto.com

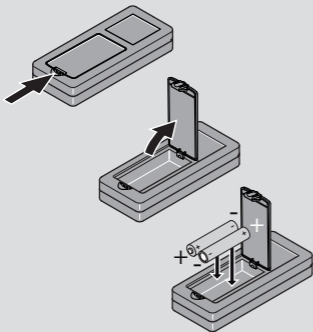
User Manual:



IEC 60825-1:2014 $\lambda=635\text{nm}$ Pav.=0,95mW tp=>400ps



SAP no. 847515



Quick Start

Leica DISTO™ D1



- 1 Display
- 2 ON/Measure
- 3 Clear/OFF

- when it has to be **right**

Leica
Geosystems



ON

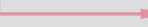
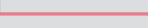
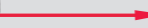


OFF

2 sec



2 sec



2 sec

