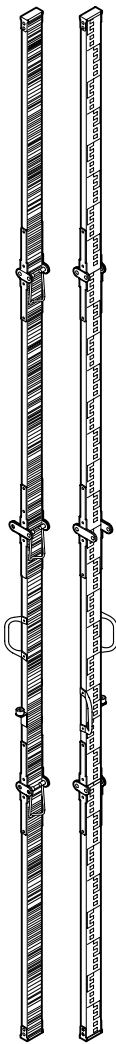
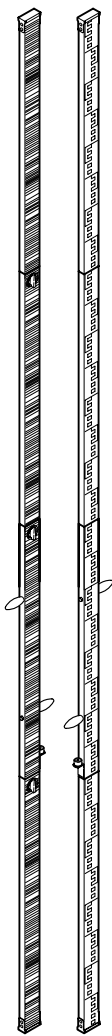


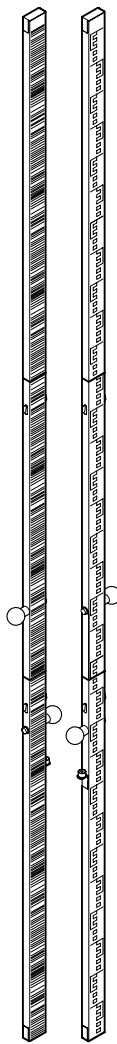
GNLE4C • GANL4C • GKNL4M/GKNL4F



GNLE4C



GANL4C

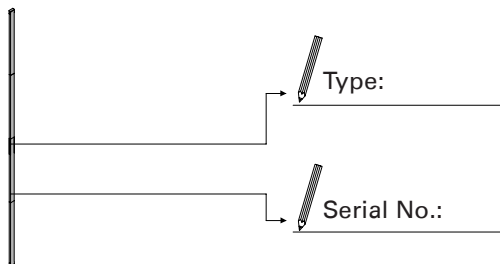


**GKNL4M
GKNL4F**

Gebrauchsanweisung
User Manual
Mode d'emploi
Ilstruzioni d'uso
Instrucciones de uso
Gebruiksaanwijzing
Bruksanvisning
Veiledning
Käyttöohje
Yleisohje
Leiðbeiningar um notkun
Instruções de utilização
Οδηγία χρήσης
使用说明



Leica
Geosystems



de *Aufstellen GNLE4C*

en *Setup GNLE4C*

fr *Installer GNLE4C*

it *Installazione GNLE4C*

es *Instalación GNLE4C*

nl *Opstellen GNLE4C*

sv *Uppställning GNLE4C*

no *Oppsett GNLE4C*

fi *Asennus GNLE4C*

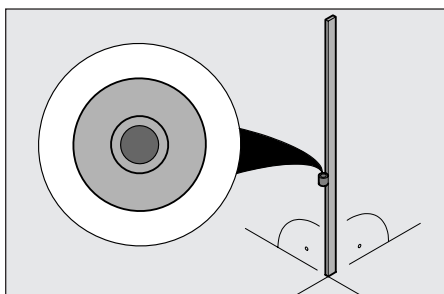
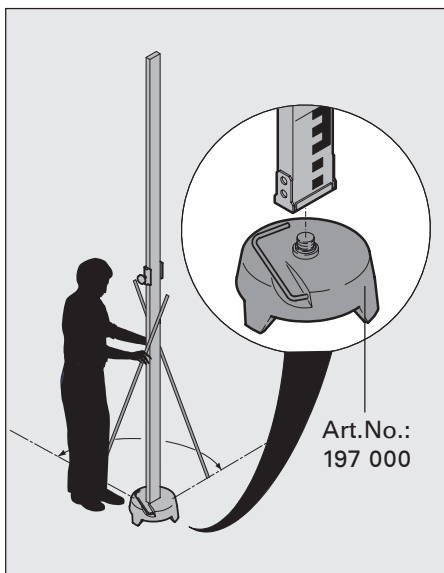
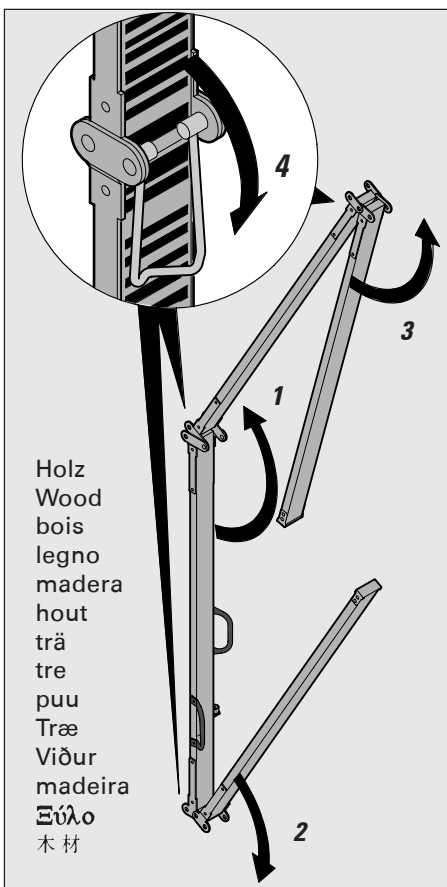
dk *Opstilling GNLE4C*

is *Uppsetning GNLE4C*

pt *Montagem GNLE4C*

el *Τοποθέτηση GNLE4C*

ja *設置 GNLE4C*



de Aufstellen GANL4C

en Setup GANL4C

fr Installer GANL4C

it Installazione GANL4C

es Instalación GANL4C

nl Opstellen GANL4C

sv Uppställning GANL4C

no Oppsett GANL4C

fi Asennus GANL4C

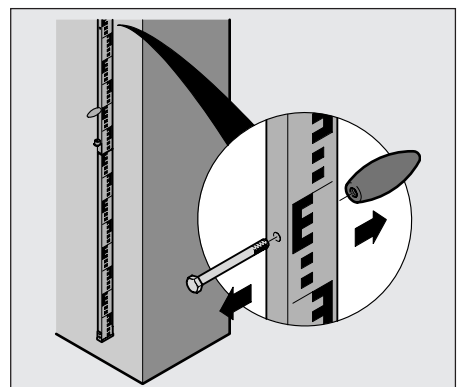
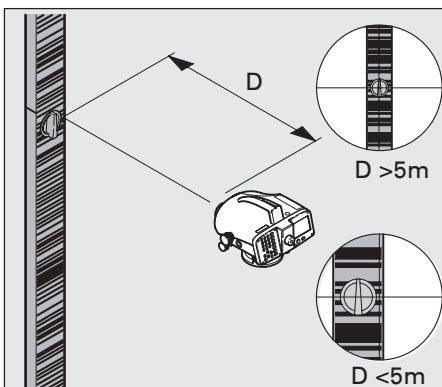
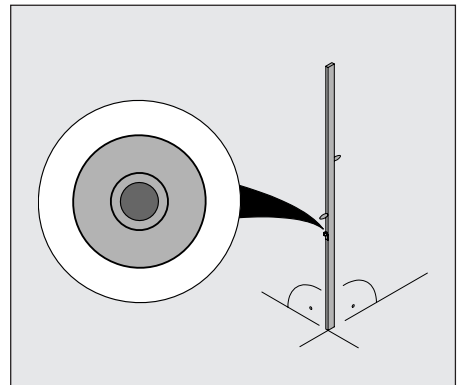
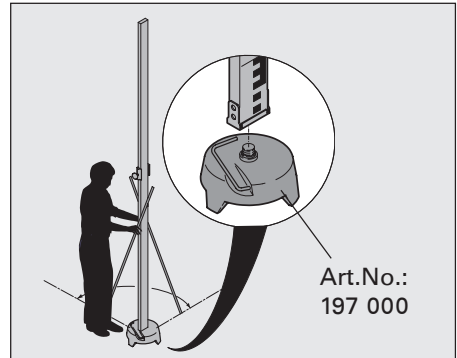
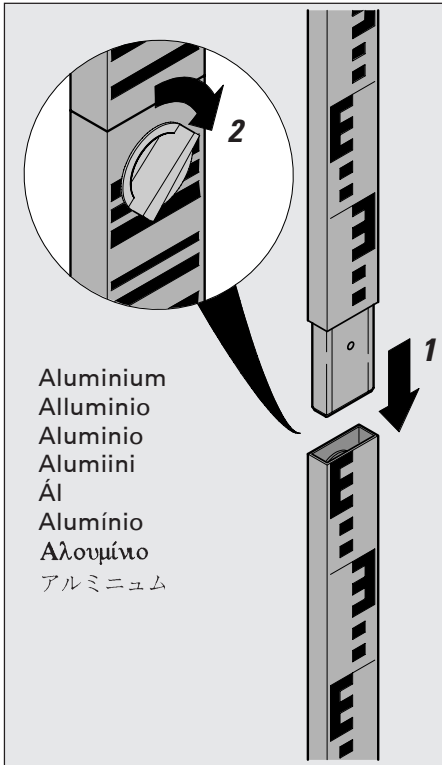
dk Opstilling GANL4C

is Uppsetning GANL4C

pt Montagem GANL4C

el Τοποθέτηση GANL4C

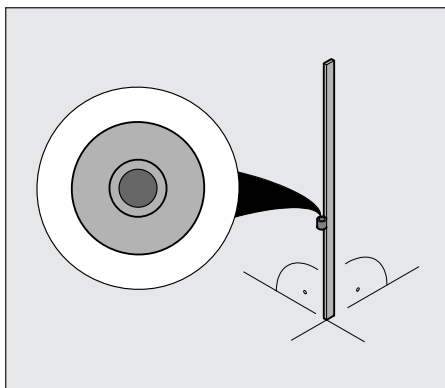
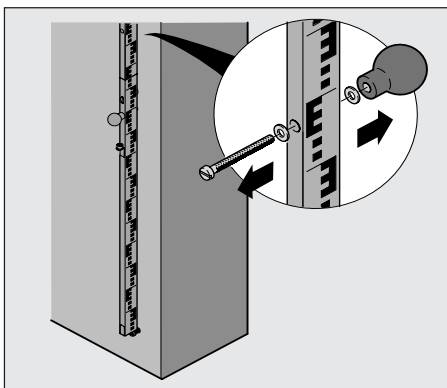
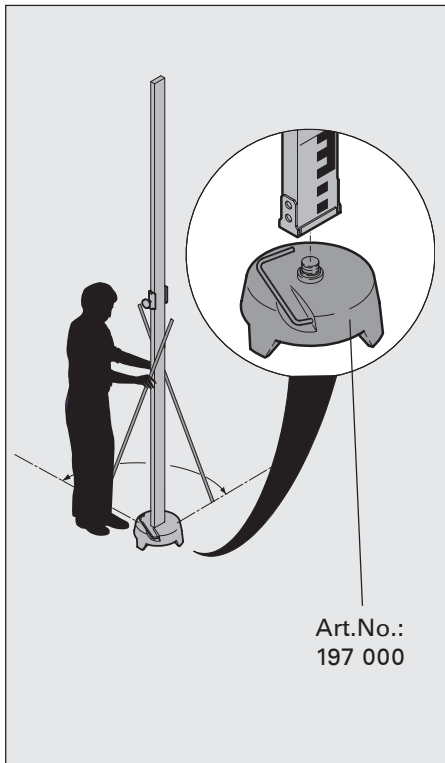
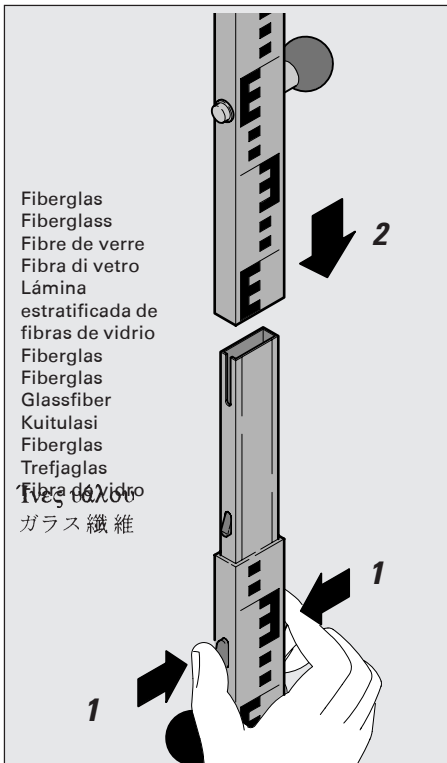
ja 設置 GANL4C



de Aufstellen GKNL4M/F
en Setup GKNL4M/F
fr Installer GKNL4M/F
it Installazione GKNL4M/F
es Instalación GKNL4M/F

nl Opstellen GKNL4M/F
sv Uppställning GKNL4M/F
no Oppsett GKNL4M/F
fi Asennus GKNL4M/F
dk Opstilling GKNL4M/F

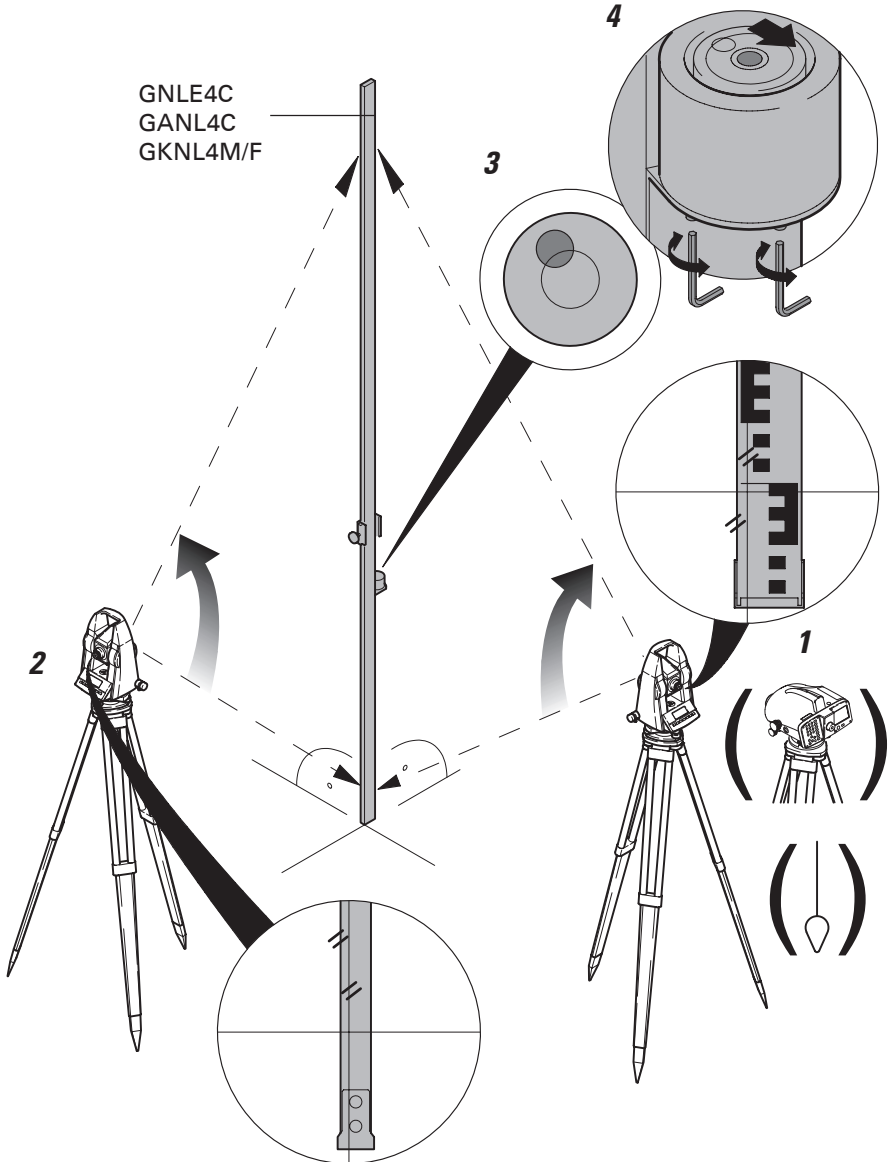
is Uppsetning GKNL4M/F
pt Montagem GKNL4M/F
el Τοποθέτηση GKNL4M/F
ja 設置 GKNL4M/F



de Dosenlibelle justieren
en Adjusting circular level
fr Ajustage
it Regolare la livella circol.
es Ajuste de nivel esférico

nl Dooswaterpas afstellen
sv Justera doslibell
no Justering av vater
fi Rasiatasaimen säätö
dk Justering af dâselibelle

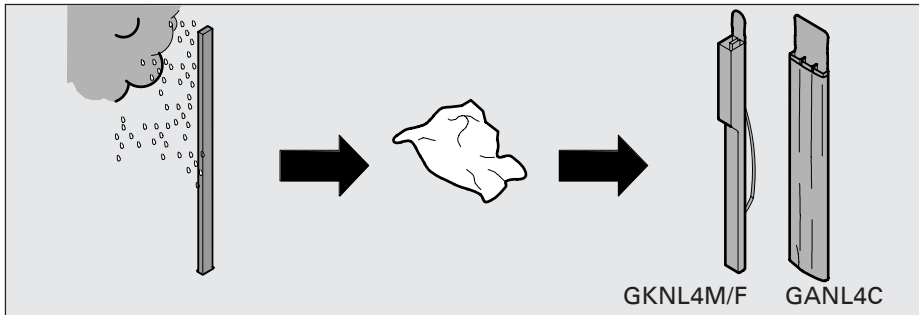
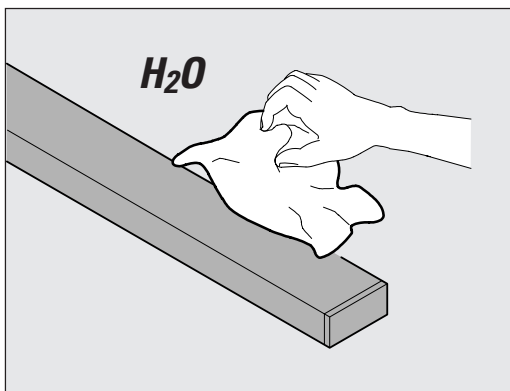
is Stilling hallamælis
pt Ajustar
el Ρύθμιση αλφαδιού
ja 水準器調整



de *Pflege und Lagerung*
en *Care and Storage*
fr *Entretien et stockage*
it *Cura e magazzino*
es *Cuidado y almacenaje*

nl *Verzorging en opslag*
sv *Skötsel och förvaring*
no *Vedlikehold og lagring*
fi *Huolto ja varastointi*
dk *Vedligeholdelse*

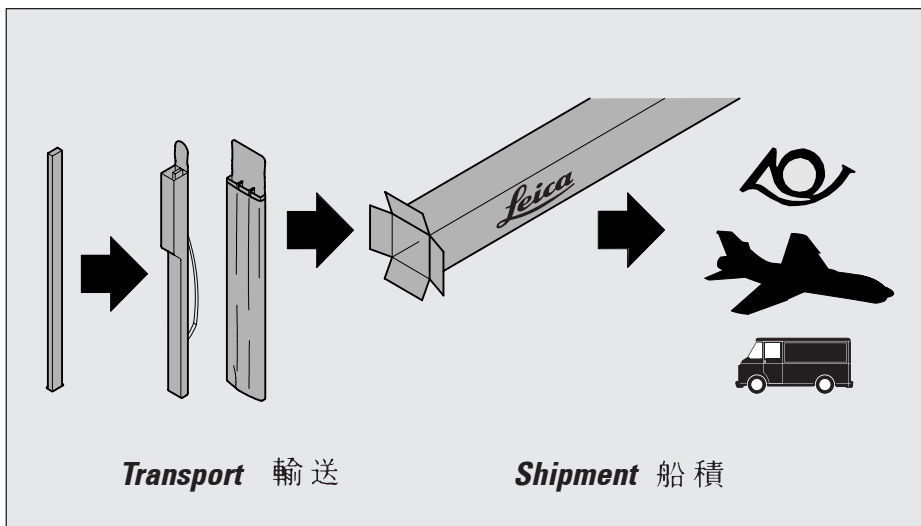
is *Hirðing og geymsla*
pt *Cuidados e armazenam.*
el *Συντήρηση*
ja *貯蔵と保管*



de *Transport/Versand*
en *Transport/Shipment*
fr *Transport/Expédition*
it *Trasporto/Spedizione*
es *Transporte/Expedición*

nl *Transport/ verzending*
sv *Transport/ export*
no *Transport / forsendelse*
fi *Kuljetus/ lähetyks*
dk *Transport/ Forsendelse*

is *Sending og flutningur*
pt *Transporte/ envio*
el *Μεταφορά*
ja *輸送 / 船積*



de Sicherheitshinweise

en Safety notes

fr Indication de sécurité

it Avvertenze di sicurezza

es Normas de seguridad

nl Veiligheidsvoorschriften

sv Säkerhetsanvisningar

no Sikkerhetshenvisninger

fi Turvallisuusohjeet

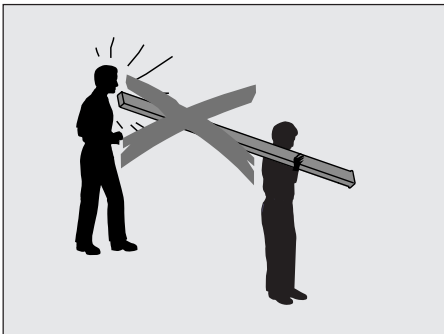
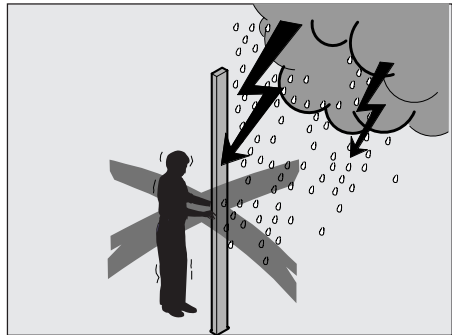
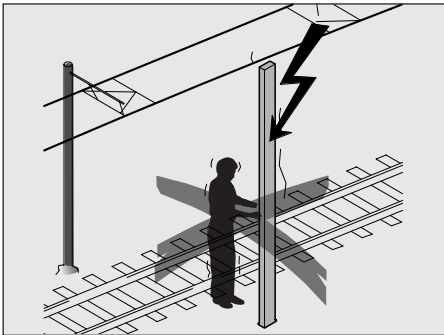
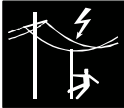
dk Sikkerhedshenvisninger

is Öryggisábendingar

pt Instruções de segurança

el Υποδείξεις ασφαλείας

ja 安全指示



de Technische Daten

en Technical data

fr Données techniques

it Specifiche tecniche

es Datos técnicos

nl Technische specificaties

sv Tekniska data

no Tekniske data

fi Tekniset tiedot

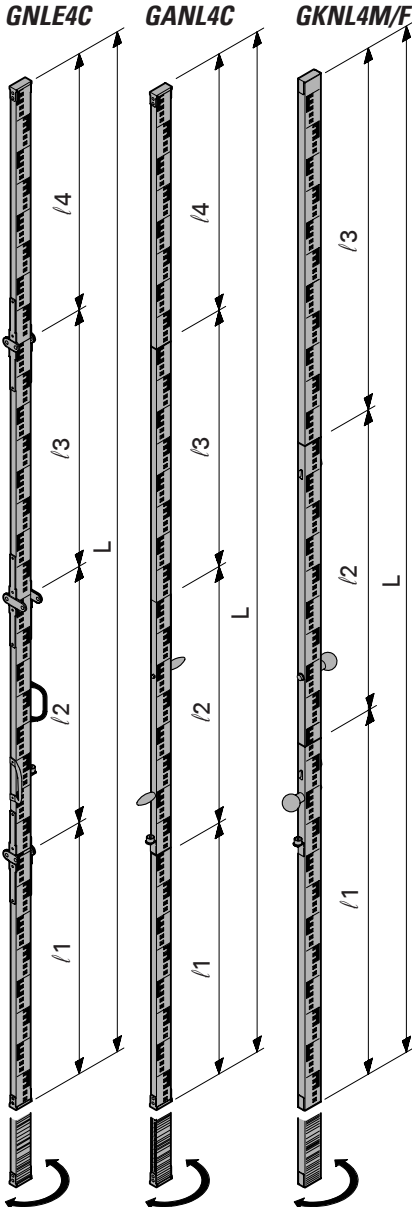
dk Tekniske data

is Tæknilegar upplýsingar

pt Dados técnicos

el Τεχνικά στοιχεία

ja 技術仕様



	GNLE4C	GANL4C	GKNL4
L	4m	4m	4.05m
l1 ... l4	1m	1m	1.35m
LTransport	1.04m	1.1m	1.58m
	4.2kg	2.8kg	4.4kg
αT	5ppm/°C	24ppm/°C	<10ppm/°C
ΔL (DIN18703)	$\pm (0.3\text{mm} + 3 \cdot L \cdot 10^{-4})$		
	-20°C - +50°C		
	-40°C - +70°C		
	$\pm 10'$		
	25'/2mm		

**Leica Geosystems AG,
Heerbrugg, Switzerland, has
been certified as being
equipped with a quality system
which meets the International
Standards of Quality Manage-
ment and Quality Systems (ISO
standard 9001) and Environ-
mental Management Systems
(ISO standard 14001).**



**Total Quality Management-
Our commitment to total
customer satisfaction**

*Ask your local Leica
Geosystems agent for more
information about our TQM
program*

Leica
Geosystems

*Leica Geosystems AG
CH-9435 Heerbrugg
(Switzerland)*

*Phone +41 71 727 31 31
Fax +41 71 727 46 73*

www.leica-geosystems.com

664911-2.0.0

Printed in Germany - Copyright Leica Geosystems AG, Heerbrugg, Switzerland 2004