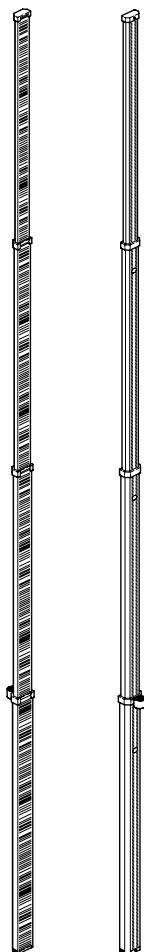


# GTL4C/GTL4M

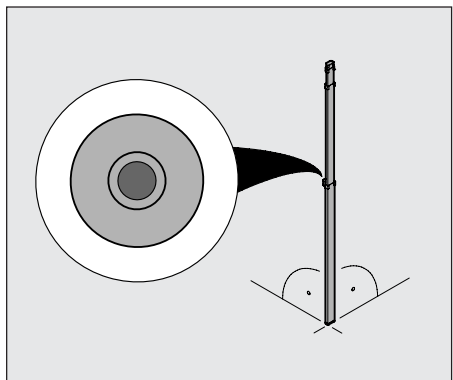
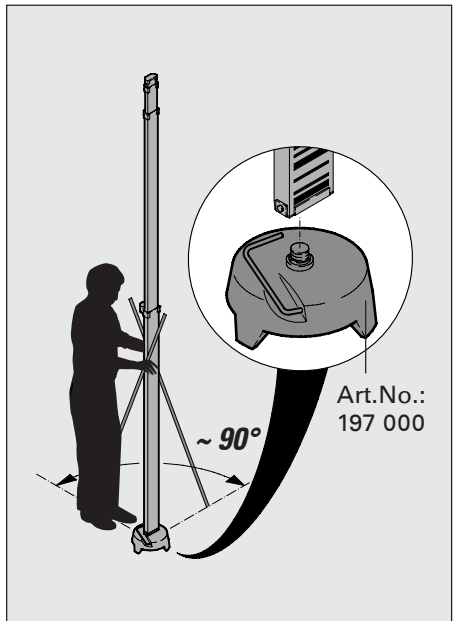
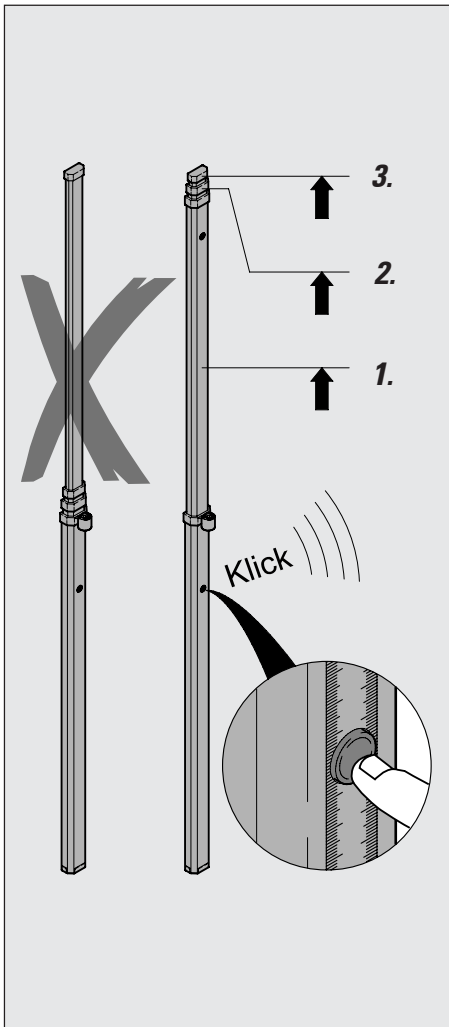
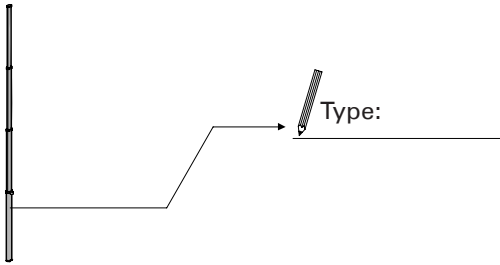


Gebrauchsanweisung  
User Manual  
Mode d'emploi  
Istruzioni d'uso  
Instrucciones de uso  
Gebruiksaanwijzing  
Bruksanvisning  
Veiledning  
Käyttöohje  
Yleisohje  
Leiðbeiningar um notkun  
Instruções de utilização  
Manual de utilizare  
Příručka uživatele  
Uživateľská príručka  
Uporabniški priročnik  
Instrukcja obsługi  
Használati útmutató  
Kasustusjuhend  
Lietotāja rokasgrāmata  
Vartotojo vadovas  
Manwal ta' I-Utent  
Ръководство за потребителя  
Οδηγίες χρήσης  
使用説明

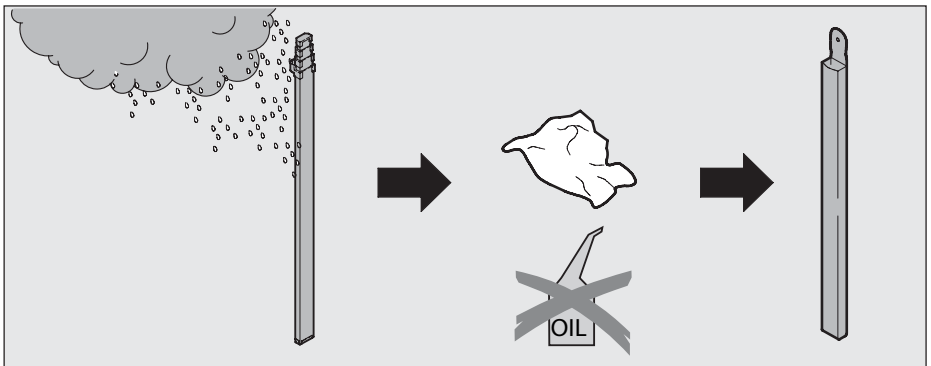
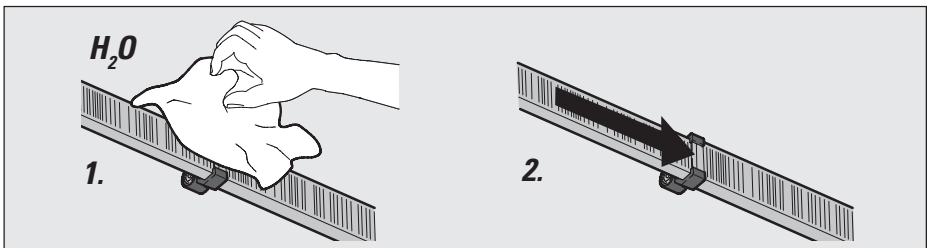
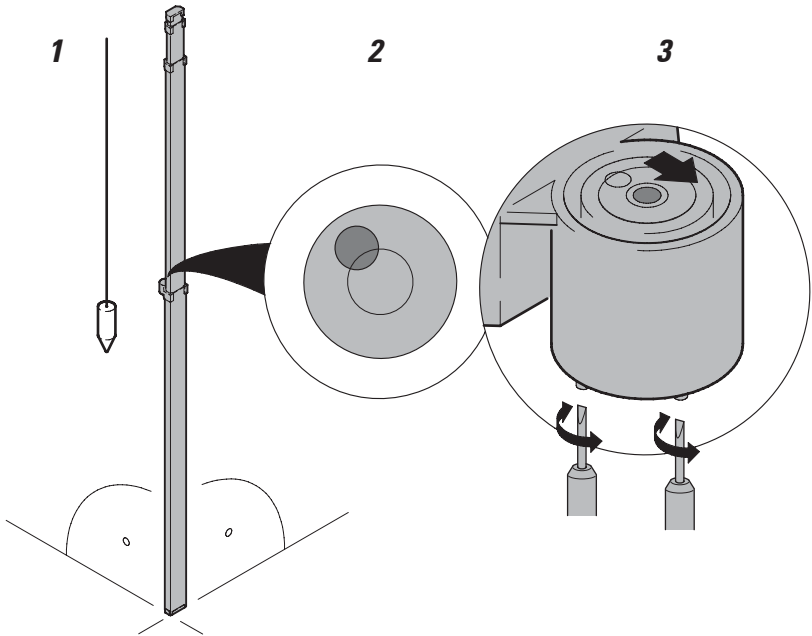


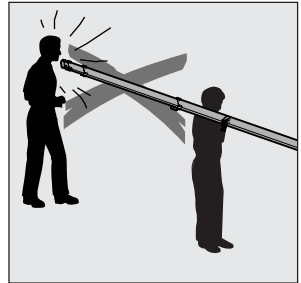
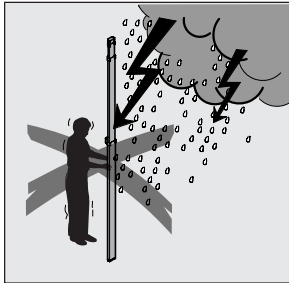
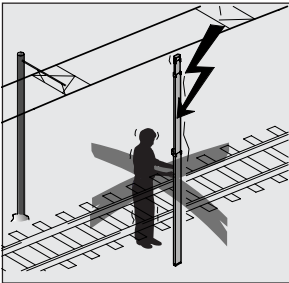
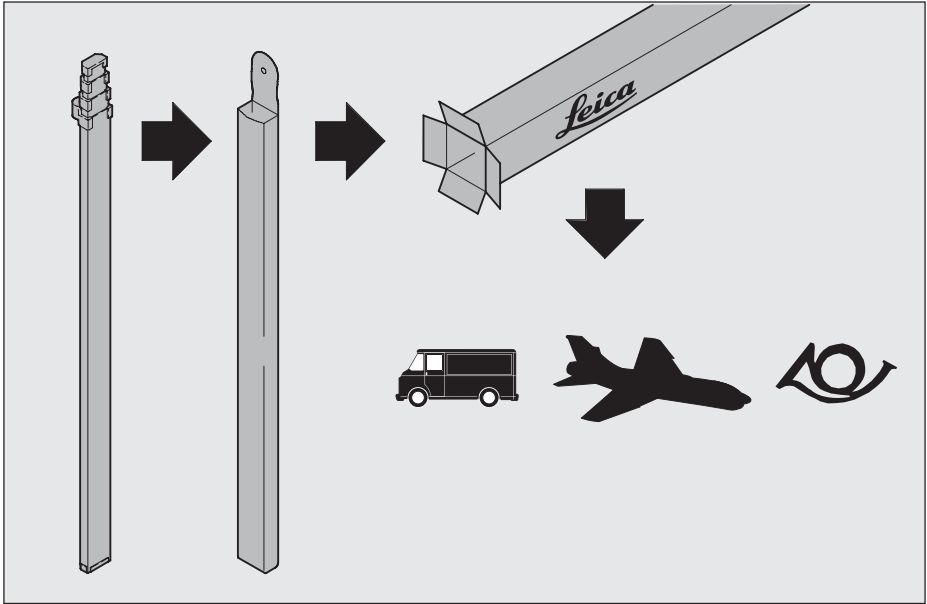
- when it has to be **right**

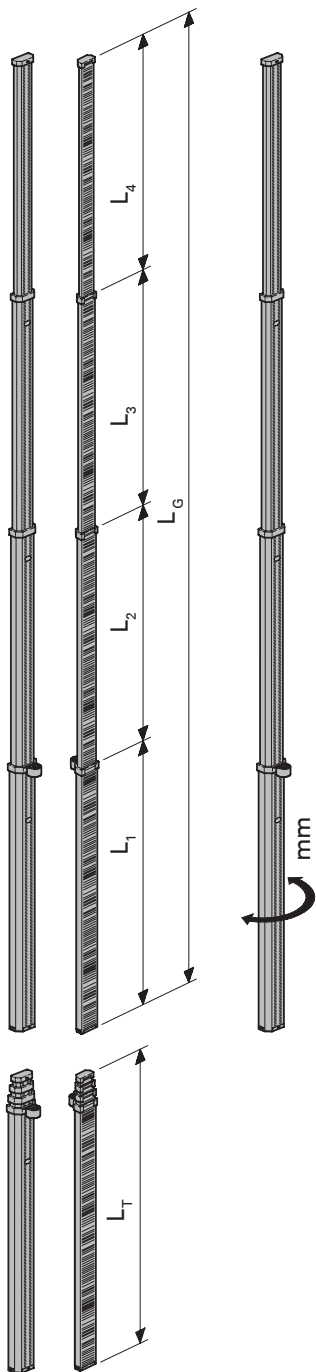
**Leica**  
Geosystems



**GTL4C:**







	<b>GTL4C</b>	<b>GTL4M</b>
$L_G$	4.00m	4.08m
$L_1$	1.10m	1.13m
$L_1 + L_2$	2.01m	2.14m
$L_1 + L_2 + L_3$	3.01m	3.12m
$L_T$	1.19m	1.22m
	1.75kg	2.40kg
$\Delta L$ (DIN18703) 	$\pm(0.3\text{mm}+3\cdot L\cdot 10^{-4})$	
$\Delta L$ (73/362/EEC Directive Para. 7) 	$\pm(0.6\text{mm}+4\cdot L\cdot 10^{-4})$	
$\alpha_T$	24ppm/°C	15ppm/°C
	-20°C - +50°C	
	-40°C - +70°C	
	$\pm 10'$	$\pm 30'$
	25'/2mm	

**Total Quality Management-**  
**Our commitment to total customer satisfaction**



Leica Geosystems AG, Heerbrugg, Switzerland, has been certified as being equipped with a quality system which meets the International Standards of Quality Management and Quality Systems (ISO standard 9001) and Environmental Management Systems (ISO standard 14001).

**Ask your local Leica Geosystems agent for more information about our TQM program**

**Leica Geosystems AG**  
CH-9435 Heerbrugg  
(Switzerland)  
Phone +41 71 727 31 31  
Fax +41 71 727 46 73  
[www.leica-geosystems.com](http://www.leica-geosystems.com)

- when it has to be **right**

**Leica**  
**Geosystems**