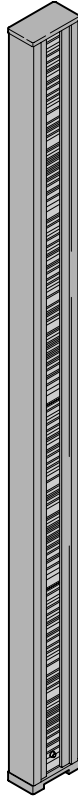
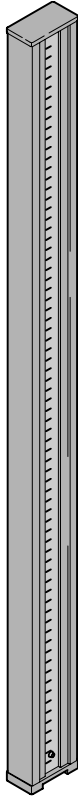


GWL92N/GWL182N GWCL92/GWCL182



**GWL92N
GWL182N**

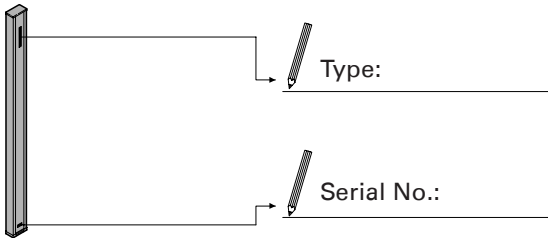
**GWCL92
GWCL182**

**Gebrauchsanweisung
User Manual
Mode d'emploi
Istruzioni d'uso
Instrucciones de uso
Gebruiksaanwijzing
Bruksanvisning
Veiledning
Käyttöohje
Yleisohje
Leiðbeiningar um notkun
Instruções de utilização
Οδηγία χρήσης
使用説明**



- when it has to be **right**

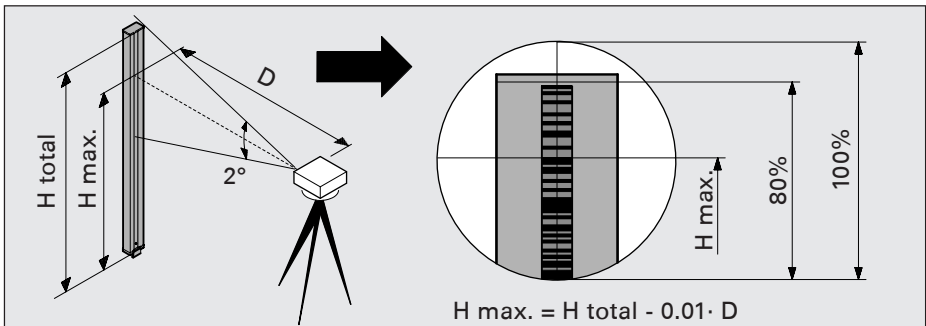
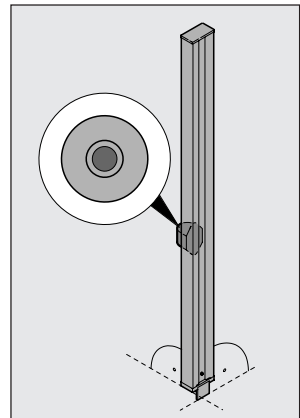
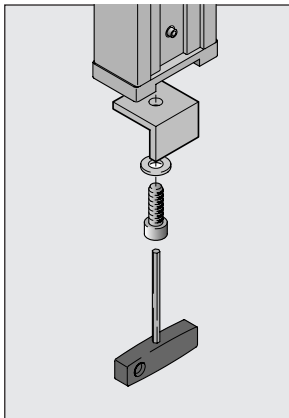
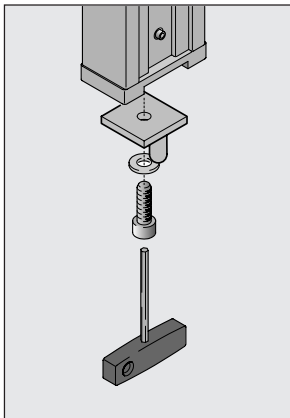
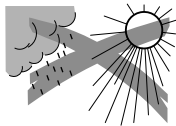
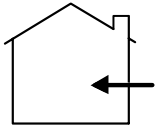
Leica
Geosystems



- de** *Aufstellen*
- en** *Setup*
- fr** *Installer*
- it** *Installazione*
- es** *Instalación*

- nl** *Opstellen*
- sv** *Uppställning*
- no** *Oppsett*
- fi** *Asennus*
- dk** *Opstilling*

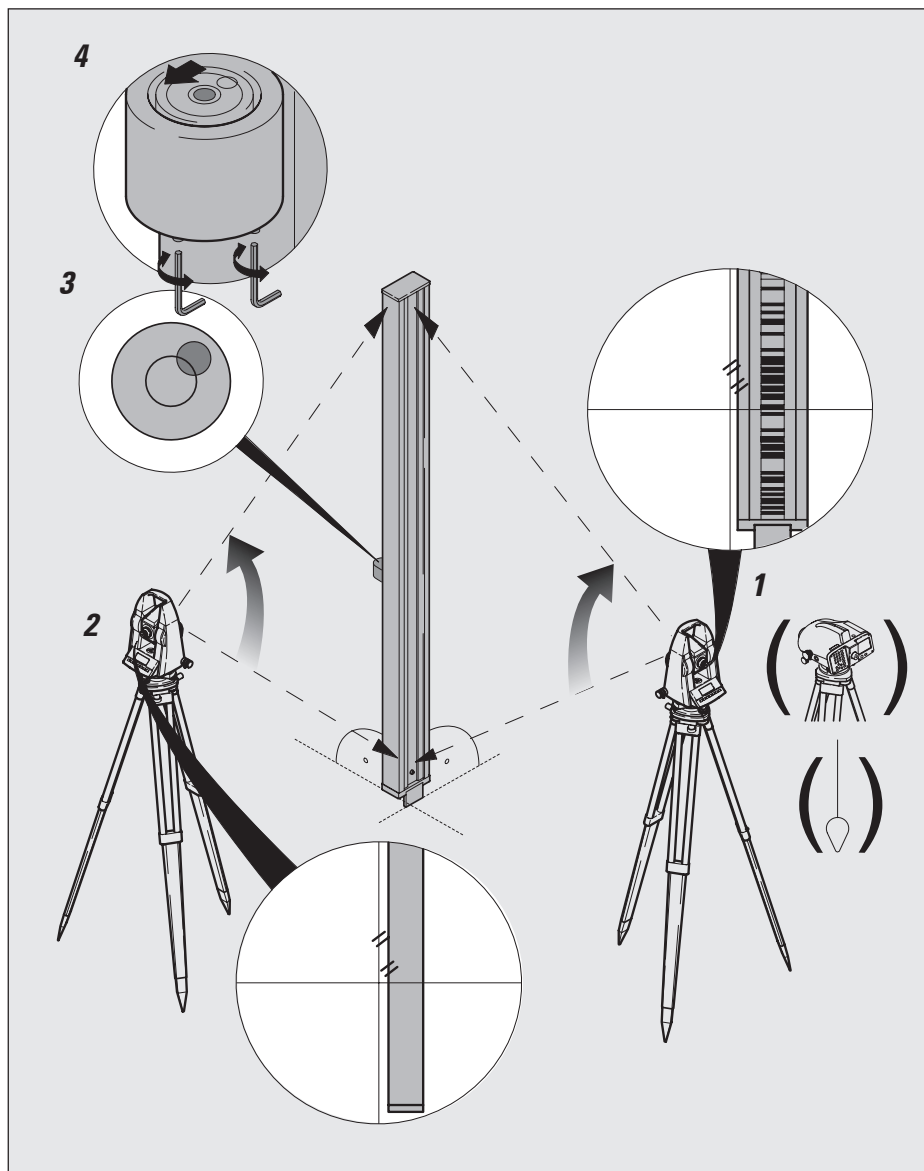
- is** *Uppsetning*
- pt** *Montagem*
- el** *Οδηγία χρήσης*
- ja** *設置*



de Dosenlibelle justieren
en Adjusting circular level
fr Ajustage
it Regolare la livella circol.
es Ajuste de nivel esférico

nl Dooswaterpas afstellen
sv Justera doslibell
no Justering av vater
fi Rasiatasaimen säätö
dk Justering af dåselibelle

is Stilling hallamælis
pt Ajustar
el Ρύθμιση αλφαδιού
ja 水準器調整



de *Pflege und Versand*

en *Care and shipment*

fr *Entretien et expédition*

it *Cura e spedizione*

es *Cuidado y expedición*

nl *Verzorging en verzend.*

sv *Skötsel och export*

no *Vedlikehold og forsend.*

fi *Huolto ja lähetys*

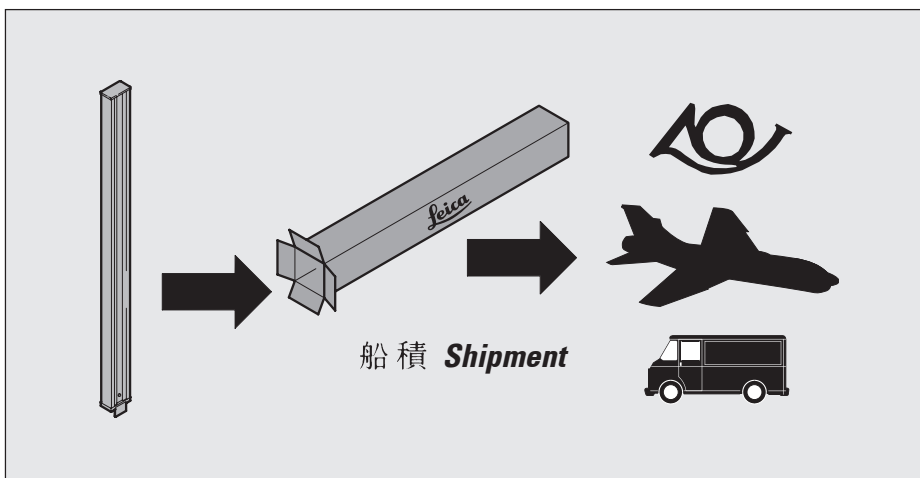
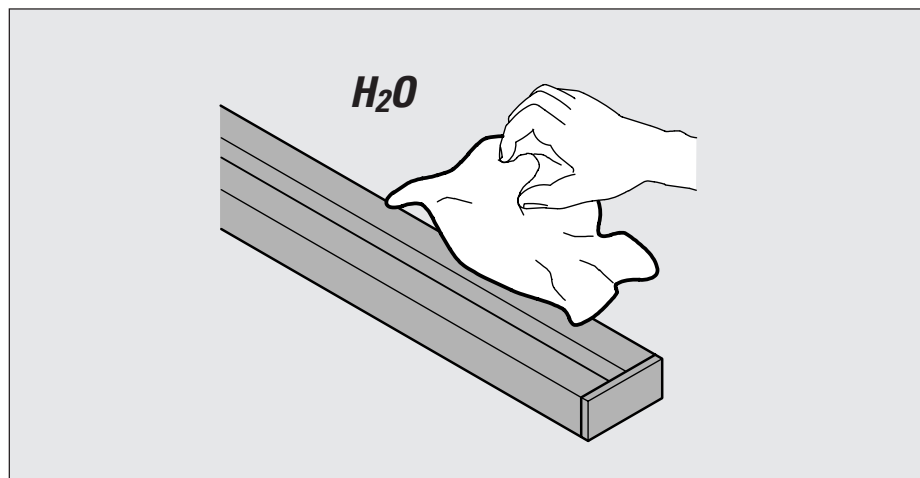
dk *Vedligeholdelse*

is *Hirðing og sending*

pt *Cuidados e envio*

el *Συντήρηση*

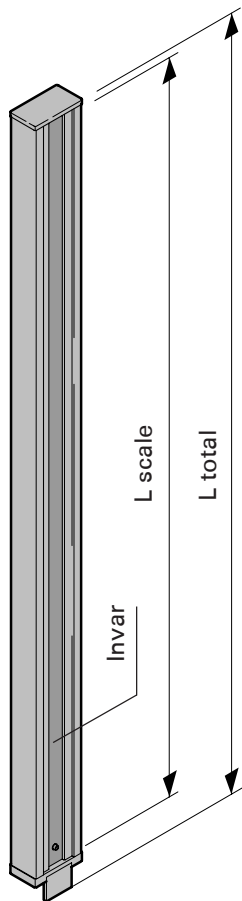
ja 客サービス と 発送



de Technische Daten
en Technical data
fr Données techniques
it Specifiche tecniche
es Datos técnicos

nl Technische specificaties
sv Tekniska data
no Tekniske data
fi Tekniset tiedot
dk Tekniske data

is Tæknilegar upplýsingar
pt Dados técnicos
el Τεχνικά στοιχεία
ja 技術仕様



	GWL92N	GWL182N	GWCL92	GWCL182
L_{total}	0.935m	1.84m	0.935m	1.84m
L_{scale}	0.03-0.93m	0.03-1.835m	0.03-0.93m	0.03-1.835m
	1.7kg	3.0kg	1.7kg	3.0kg
α_T	<1ppm/°C			
ΔL (DIN18717)	$\pm(0.02\text{mm}+L \cdot 2 \cdot 10^{-5})$			
	-	-	1.80-30m	1.80-60m
	$H_{max.} = H_{total} - 0.01 \cdot D$			
	-10°C - +40°C			
	-25°C - +70°C			
	$\pm 5'$			
	12'/2mm			

**Leica Geosystems AG,
Heerbrugg, Switzerland, has
been certified as being
equipped with a quality system
which meets the International
Standards of Quality Manage-
ment and Quality Systems (ISO
standard 9001) and Environmen-
tal Management Systems
(ISO standard 14001).**



**Total Quality Management-
Our commitment to total
customer satisfaction**

*Ask your local Leica
Geosystems agent for more
information about our TQM
program*

- when it has to be **right**

Leica
Geosystems

*Leica Geosystems AG
CH-9435 Heerbrugg
(Switzerland)*

Phone +41 71 727 31 31

Fax +41 71 727 46 73

www.leica-geosystems.com

664909-2.1.0

Printed in Germany - Copyright Leica Geosystems AG, Heerbrugg, Switzerland 2007