

# Recycling Passport Certificat de Recyclage Recycling Pass

We / Nous / Wir      **Leica Geosystems AG, CH-9435 Heerbrugg (Switzerland)**

confirm that the product  
déclarons que le produit  
bestätigen, dass das Produkt

**AR20**

to which this Recycling Passport relates is in conformity with the following directives  
auquel se réfère cette déclaration est conforme aux directives  
auf das sich dieser Recycling Pass bezieht, mit den folgenden Richtlinien übereinstimmt

**Waste electrical and electronic equipment (WEEE) 2012/19/EU**  
Category 9 product according Annex I  
**Restriction of the use of certain hazardous substances 2011/65/EU**

Geosystems Division, September, 2012

**Leica Geosystems AG, CH-9435 Heerbrugg (Switzerland)**

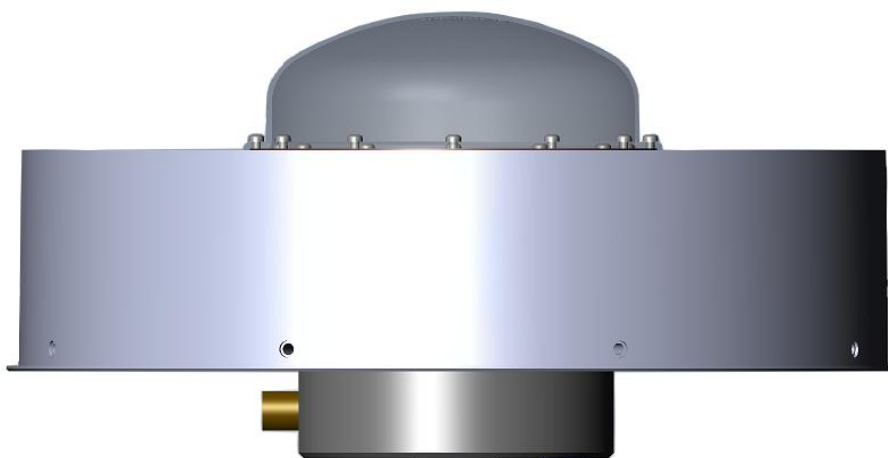
**Reuse and treatment information**  
**Information sur la réutilisation et le traitement**  
**Information für die Wiederverwendung und Behandlung**

Material	Weight [g]	Weight [%]	Important Information
<b>Waste Disposal (WD)</b>			
Ceramic	0	0	
Subtotal	0	0	
<b>Recovery Operations (RO)</b>			
Leather	0	0	
Rubber / elastomer	3	0.05	
Sealant compound	1	0.02	
Wood	0	0	
Subtotal	4	0.06	
<b>Recycling (RC)</b>			
Aluminium alloy cast	5430	86.51	
Aluminium alloy wrought	0	0	
Battery	0	0	
Cable	0	0	
Cable with plug	33	0.53	
Carton	0	0	
Copper	0	0	
Copper alloy	0	0	
Gas	0	0	
Glass optical	0	0	
Iron	0	0	
Liquid	0	0	
Magnesium alloy	0	0	
Magnetic material	0	0	
Metal nonferrous	0	0	
Paper	0	0	
Plastic	615	9.8	
Plug	0	0	
Printed circuit board	100	1.59	Remove Printed Circuit Board (> 10 cm <sup>2</sup> )
Sintered material	0	0	
Steel	0	0	
Steel stainless	95	1.51	
Textil material	0	0	
Subtotal	6273	99.94	
<b>Re-Use (RU)</b>			
	0	0	
Subtotal	0	0	
<b>Total weight</b>	<b>6277</b>	<b>100</b>	

**Product identification and selective treatment information**  
**Identification du produit et instruction sur le traitement sélectif**  
**Produktidentifizierung und Information für die selektive Behandlung**



320 mm x 220 mm



320 mm x 140 mm

Type: AR 20	
Art. No. 794207	
Revision: 1.0	
Power: 3.3-12VDC/100mA max.	
Leica Geosystems AG	
CH-9435 Heerbrugg	
GNSS Reference Station Antenna	
Serial No: 14002-001	
Manufactured: 2012	
Made in USA	

**Leica Geosystems AG**  
Heinrich-Wild-Strasse  
CH-9435 Heerbrugg  
Switzerland  
[www.leica-geosystems.com](http://www.leica-geosystems.com)

- when it has to be **right**



